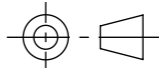



DRAWN	Luuk van den Heuvel	DATE	11-3-2024		TITLE:	Corten 2mm	
REVISION					Drawing:	CPA-02.3	A3
		Liessentstraat 4, 5405 AG Uden (NL). † 0031 (0)413 - 27 41 68. e info@adezz.com, i www.adezz.com		Color:	-	Mass (kg):	35.41
				SCALE:1:15	SHEET 1 OF 2		